

# TRACERCO Diagnostics™ Helium Leak Study

Leaks within process vessels and systems are disruptive to operations and are often small, making detection difficult.

The use of the **TRACERCO Diagnostics™** Helium Leak Study offers the most stringent of leak test methods available and is applicable to both units under pressure or vacuum.



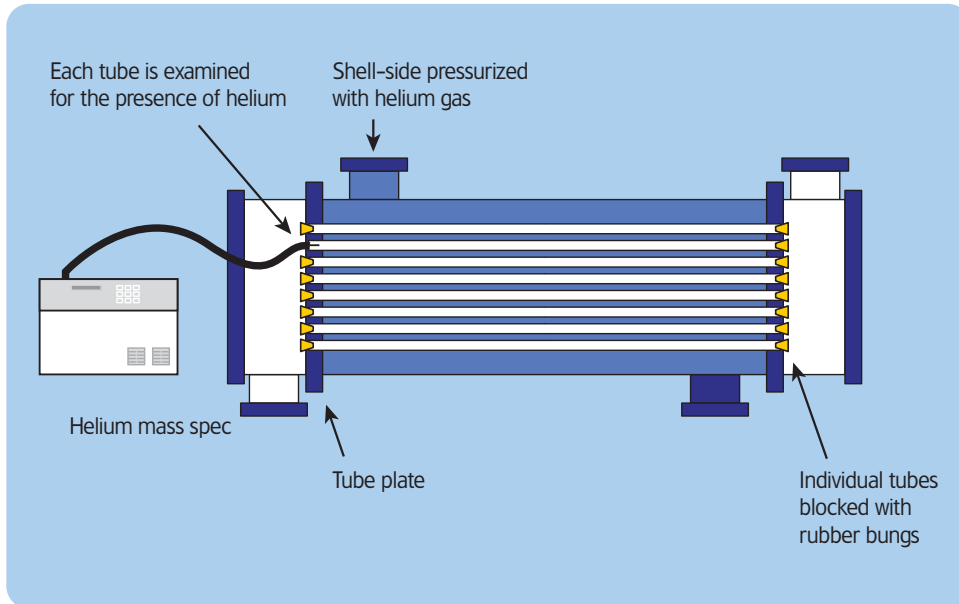
For units under pressure the helium is added to the component under investigation at a suitable test pressure (and with the addition of heat, if applicable). Sampling and measurement at locations within the system into which the helium may leak is then carried out using a helium specific Mass Spectrometer.

For vacuum systems the helium is sprayed around the external flanges, joints etc. to identify positions of air ingress. Sampling is then conducted usually at the ejector area. Leaks down to  $2 \times 10^{-9}$  standard cc/sec are achievable with this type of testing.

Precise location of the leak position allows maintenance efforts to be concentrated in the appropriate area reducing downtime. This yields a saving in operating costs.

Please call us today to discuss how we can assist in your production operations.

## Heat Exchange Leak Detection (off-line)



Areas of application include:

- Heat Exchangers.
- Storage Tanks.
- Vacuum Polymerisers.
- Fridge Units.

On completion, a certificate of the test conditions and the 'leak free' condition of the unit can be issued. We would be pleased to visit your site to discuss your operational needs and provide a cost effective solution tailored to your needs.

**North American Headquarters:**  
4106 New West Drive  
Pasadena, TX 77507 USA  
Tel 281 291 7769  
Fax 281 291 7709  
Toll Free 800 288 8970

**Field Office Locations:**  
Concord, CA 94520 USA  
Tel 925 687 0900  
Newark, DE 19702 USA  
Tel 302 454 1109  
Merrillville, IN 46410 USA  
Tel 219 945 0400  
Baton Rouge, LA 70820 USA  
Tel 225 761 0621

Corpus Christi, TX 78408 USA  
Tel 361 888 8233  
West Valley City, UT 84119 USA  
Tel 801 478 0736  
Edmonton, AB, T6E 6A6 CANADA  
Tel 780 469 0055  
Sarnia, ON, N7S 5G5 CANADA  
Tel 519 332 6160

  
**Johnson Matthey**  
A Member of the Johnson Matthey Group  
TRACERCO and TRACERCO Diagnostics  
are trademarks of the Johnson Matthey  
Group of companies.