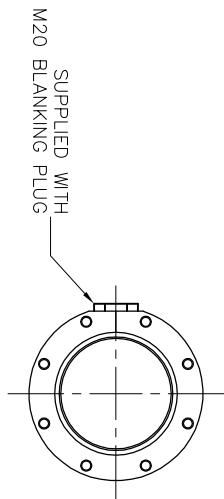


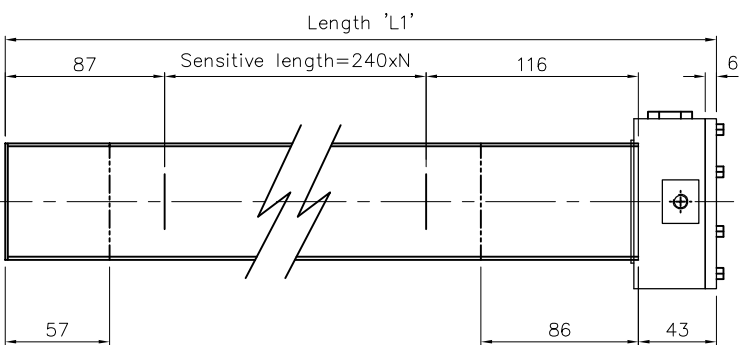
DIMENSIONS IN mm UNLESS OTHERWISE STATED



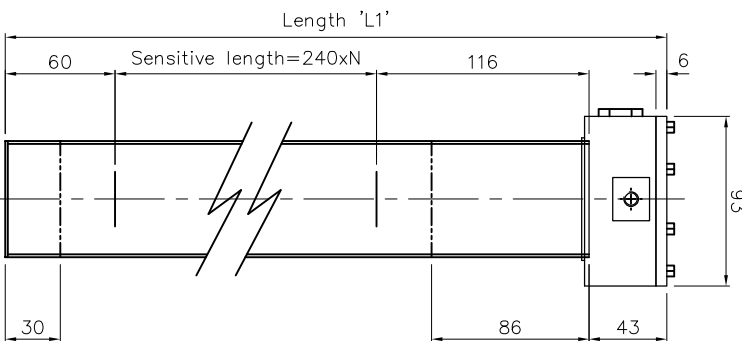
Material: The Case, flanges and flange plates are 316L Stainless Steel.

Weight range from: See table.

No brackets to be located within Sensitive Length.



Standard Detector
Single Module
Single/Double



Standard Detector
for 2 + Modules
Single/Double

HAZARDOUS AREA PRODUCT

PRI 150 STANDARD DETECTOR DIMENSIONS

Type of Modules/ Single/ Double	No. of Modules (N)	Overall Length 'L1'	Sensitive Length	Weight's (Kg)
S & D	1	486	240	5.4
S & D	2	699	480	5.9
S & D	3	939	720	6.4
S & D	4	1179	960	6.9
S & D	5	1419	1200	7.4
S & D	6	1659	1440	7.9
S & D	7	1899	1680	8.4
S & D	8	2139	1920	8.9
S & D	9	2379	2160	9.4
S	10	2619	2400	9.9
S	11	2859	2640	10.4
S	12	3099	2880	10.9
S	13	3339	3120	11.4
S	14	3579	3360	11.9
S	15	3819	3600	12.4
S	16	4059	3840	12.9
S	17	4299	4080	13.4
S	18	4539	4320	13.9

Note 1: Detector Combinations:

- Singles (S) = 18
- Doubles (D) = 9
- Other (O) = Project Specific

TITLE
OUTLINE DIMENSIONS OF
PRI 150-A-5 DETECTOR UNITS

Tracerco
TRACERCO
PO BOX 1
BELAIS HALL TECHNOLOGY PARK
BILLINGHAM
CLEVELAND TS23 1LB

REV.	DET CAP & HEAD DWG TITLE & TABLE UPDATED	S.DONNELLY	M.LENNON	SH/RE	DATE
E	BRIEF REVISION DESCRIPTION				

REV.	DET CAP & HEAD DWG TITLE & TABLE UPDATED	S.DONNELLY	M.LENNON	SH/RE	DATE
E	BRIEF REVISION DESCRIPTION				

DRAWN BY	C.MABBS	DATE	10/05/01
CHECKED BY	CUNNINGHAM	DATE	10/05/01
APPROVED BY		SCALE	1:3

DRAWING No.	REV
D30567	E

STATUS

1 Accepted

2 Accepted with comments incorporated

3 Not accepted, revise and resubmit

4 For information only

Date _____

Printed name and discipline _____

Signature _____